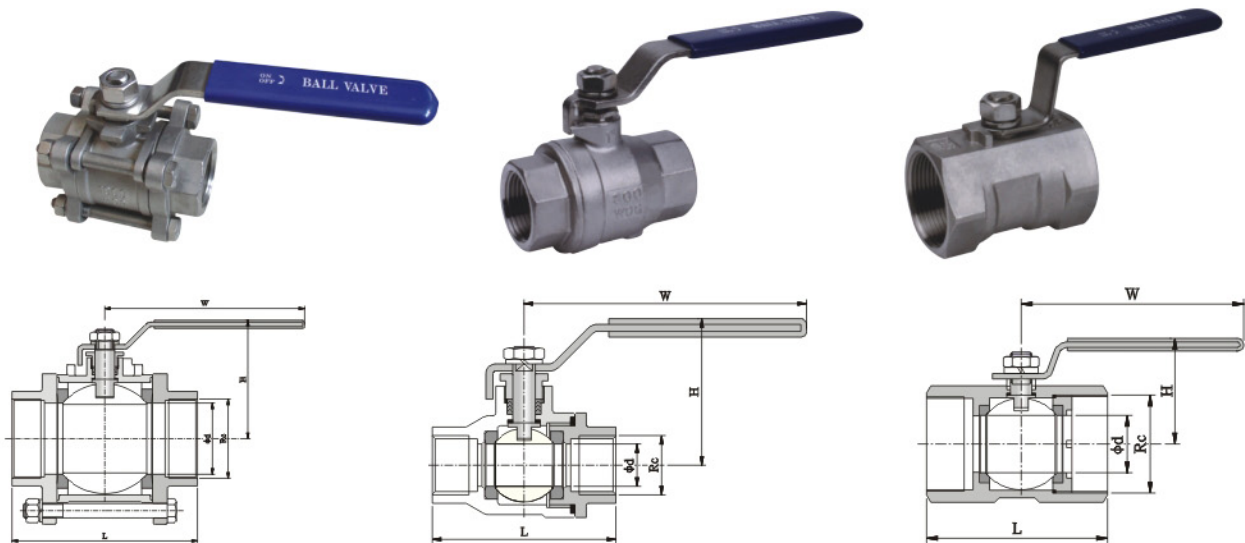


Female Threaded Ball Valve

Application

Female threaded ball valves are suitable for use on pipelines of medium or low pressure to turn off or switch on pipeline medium. Operation manners are in general of manual, and pneumatic or electric actuators are available. Based on design structures, the valves get divided into three pieces, two pieces, and one piece types.

Main Sizes And Weights



QS11F female threaded three pieces ball valve

QL11F female threaded two pieces ball valve

QZ11F female threaded one piece ball valve

Type	Size		Rc	Dimensions(mm)				Weight (kg)
	DN	NPS		L	d	W	H	
Three pieces	10	3/8	3/8	60	10	95	57	0.4
	15	1/2	1/2	75	14	110	68	0.5
	20	3/4	3/4	80	19	110	70	0.7
	25	1	1	90	25	140	80	1.2
	32	1 1/4	1 1/4	110	32	140	85	1.9
	40	1 1/2	1 1/2	120	38	180	100	2.7
	50	2	2	144	50	180	110	3.9
	65	2 1/2	2 1/2	186	64	200	130	7.1
	80	3	3	206	76	250	150	11.5
Two pieces	10	3/8	3/8	55	10	95	57	0.3
	15	1/2	1/2	65	14	110	68	0.4
	20	3/4	3/4	78	19	110	70	0.6
	25	1	1	88	25	140	80	1.0
	32	1 1/4	1 1/4	105	32	140	85	1.6
	40	1 1/2	1 1/2	112	38	180	100	2.3
	50	2	2	125	50	180	110	3.3
	65	2 1/2	2 1/2	165	64	200	130	6.0
One piece	10	3/8	3/8	39	6	70	35	0.2
	15	1/2	1/2	57	9	95	44	0.3
	20	3/4	3/4	59	12	95	47	0.4
	25	1	1	71	16	110	55	0.6
	32	1 1/4	1 1/4	80	20	110	60	1.1
	40	1 1/2	1 1/2	83	25	140	75	1.5
	50	2	2	100	32	140	80	2.8