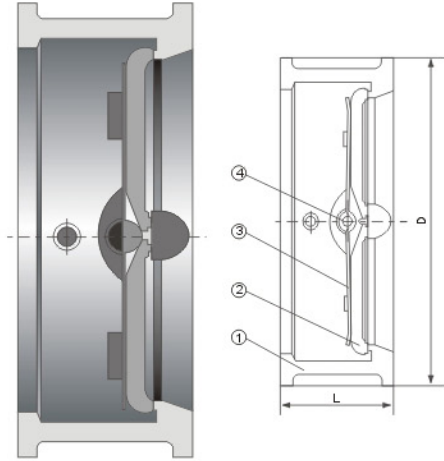


Cast Steel Check Valve

Class150~Class1500 Wafer Dual Plate Check Valve



Design & Manufacture Standard

- Design and Manufacture as per ASME B16.34, API 594.
- Connection ends dimension as per ASME B16.5, ASME B16.47.
- Face to face dimension as per API 594.
- Inspection and test as per API 598.

Part Name	Material	
1	Body	WCB, CF8, CF8M, CF3, CF3M
2	Plate	WCB, CF8, CF8M, CF3, CF3M
3	Spring	INCONEL, 17-7PH
4	Valve Shaft	F6a, 304, 316, 304L, 316L, 17-7PH

Main Size and Weight

Size	Class 150-1500														
	Class 150			Class 300			Class 600			Class 900			Class 1500		
	L	D	WT	L	D	WT	L	D	WT	L	D	WT	L	D	WT
inch	mm	mm	Kg	mm	mm	Kg	mm	mm	Kg	mm	mm	Kg	mm	mm	Kg
2	60	103	2	60	110	3	60	110	4	70	140	8	70	140	8
2-1/2	67	122	3	67	128	4	67	128	5	83	162	11	83	162	11
3	73	135	4	73	147	6	73	147	8	83	165	14	83	172	19
4	73	173	6	73	179	8	79	191	11	102	204	20	102	207	26
5	86	195	8	86	214	15	105	239	20	110	245	30	110	252	51
6	98	220	13	98	249	18	136	264	26	159	286	42	159	280	68
8	127	277	25	127	305	31	165	318	55	206	356	84	206	350	130
10	146	337	39	146	359	51	213	398	95	241	432	145	248	433	210
12	181	407	54	181	420	77	229	455	140	292	495	220	305	518	384
14	184	448	80	222	483	117	273	490	223	356	518	350	356	576	550
16	191	512	117	232	537	190	305	562	360	384	572	470	384	639	635
18	203	547	138	264	594	200	362	610	395	451	635	605	-	-	-
20	219	604	163	292	652	265	368	680	518	451	695	820	-	-	-
24	222	715	331	318	772	410	438	786	836	495	835	1050	-	-	-
28	305	773	380	-	-	-	-	-	-	-	-	-	-	-	-
30	305	824	425	368	882	660	-	-	-	-	-	-	-	-	-
32	305	878	560	-	-	-	-	-	-	-	-	-	-	-	-