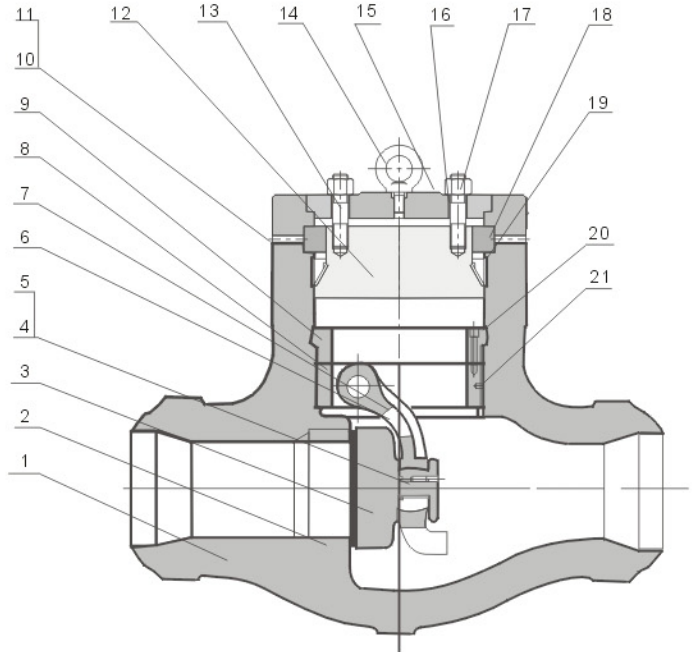


Pressure Seal Swing Check Valve

- Pressure Seal Cover,
- Welded-in or Threaded Seat Ring
- Size Range: 2"-16"

Trim Material to API 600

Body Seat Surface	Disc Seat Surface	Hinge Pin
Part No.2	Part No.3	Part No.7
F6	F6	F6
Stellite	Stellite	F6
Stellite	F6	F6
F304	F304	F304
F316	F316	F316
Monel	Monel	Monel
Alloy 20	Alloy 20	Alloy 20
Hastelloy B	Hastelloy B	Hastelloy B



Standard Material Specifications

Part Name	WCB	WC6	WC9	C5	CF8	CF8M
1 Body	A216 WCB	A217 WC6	A217 WC9	A217 C5	A351 CF8	A351 CF8M
4 Disc Nut	AISI 410	AISI 410	AISI 410	AISI 410	AISI 304	AISI 316
5 Set Screw	AISI 410	AISI 410	AISI 410	AISI 410	AISI 304	AISI 316
6 Hinge	A216 WCB	A217 WC6	A217 WC9	A217 C5	A351 CF8	A351 CF8M
8 Holder	AISI 410	AISI 410	AISI 410	AISI 410	AISI 304	AISI 316
9 Back Ring	AISI 410	AISI 410	AISI 410	AISI 410	AISI 304	AISI 316
10 Nameplate	AISI 304					
11 Rivet	AISI 304					
12 Supporter	Steel	Steel	Steel	Steel	S.S	S.S
13 Cover	A216 WCB	A217 WC6	A217 WC9	A217 C5	A351 CF8	A351 CF8M
14 Hook Screw	Steel	Steel	Steel	Steel	Steel	Steel
15 Nut	A194 2H	A194 2H	A194 2H	A194 2H	A194 Gr.8	A194 Gr.8
16 Bolt	A193 B7	A193 B7	A193 B7	A193 B7	A193 B8	A193 B8
17 Washer	Steel	Steel	Steel	Steel	Steel	Steel
18 Split Ring	Steel	Steel	Steel	Steel	S.S	S.S
19 Seal Ring	AISI 316L	AISI 316L	AISI 316L	AISI 316L	AISI 316L	AISI 316L
20 Set Screw	Steel	Steel	Steel	Steel	S.S	S.S
21 Screw	Steel	Steel	Steel	Steel	S.S	S.S

Other materials on request