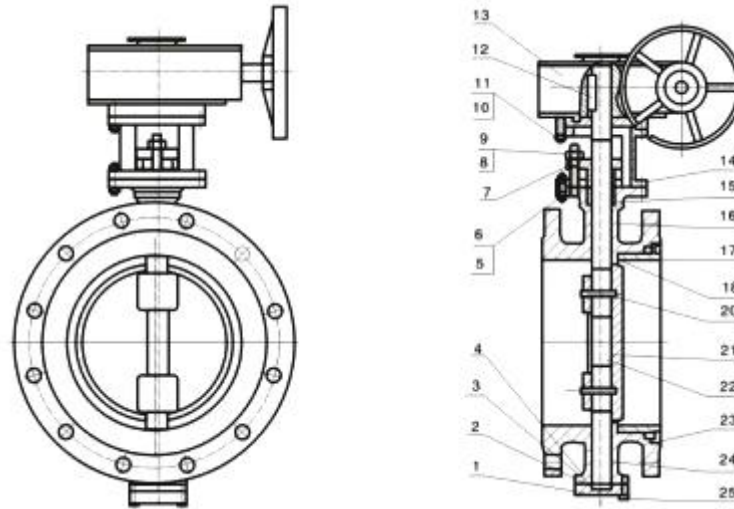


# Triple Eccentric Butterfly Valve



## Triple ECCENTRIC BUTTERFLY VALVE

Sungo Series Triple Eccentric butterfly Valve offers 2 main categories: the soft seal Type and metal to metal seal type. The metal Seal Series, Sungo adopt Multi Layer Metal Seat. The Connection with wafer type, Lug type and flanged type will be available.

### Technical requirements

1. Design and manufacture comply to MSS SP 67-1997
2. Inspect and test comply to API 598
3. Face to face dimension complies to BSS5155
4. Flanges comply to API 605
5. Pressure-temperature grade complies to ANSI B6.34

### Material specification

NO.	Part name	Material				
		A216 WCB	A217 LCB	A351 CF8	A351 CF8M	A351 CF3M
1	Nether cover	A105	A105	A182 F304	A182 F316	A182 F316L
2	Bearing	A182 F6a	A182 F304	A182 F304	A182 F316	A182 F316L
3	Wwash	F304+Flexible graphite				
4	Body	A216 WCB	A217 LCB	A351 CF8	A351 CF8M	A351 CF3M
5	Nut	A194 2H	A194 4	A194 8	A194 8M	A194 8M
6	Bolt	A193 B7	A193 B16	A193 B8	A193 B8M	A193 B8M
7	Gland	A182 F410	A182 F304	A182 F304	A182 F316	A182 F316L
12	Key	A194 2H				
13	Gear action	Nodular cast iron				
14	Yoke	A216 WCB		A351 CF8		

15	Shaft packing	Flexible graphite			PTFE		
16	Bearing	B148/SF-1/17-7PH					
17	Tailpiece	A216 WCB	A217 LCB	A351 CF8	A351 CF8M	A351 CF3M	
18	Seal seat	Flexible graphite			PTFE		
20	Pin	A276 316	A276 316	A276 316	A276 316	A276 316	
21	Butterfly board	A351 CF8M	A351 CF8M	A351 CF8M	A351 CF8M	A351 CF3M	
22	Shaft	A276 316	A276 316	A276 316	A276 316	A276 316L	

**TRIPLE ECCENTRIC BUTTERFLY VALVE**

150Lb																		
NPS	2~	3~	4~	5~	6~	8~	10~	12~	14~	16~	18~	20~	24~	30~	32~	36~	42~	
L-RF	43	64	64	70	76	89	114	114	127	140	152	152	178	229	241	241	305	
L-BW	107	114	127	140	140	152	165	178	190	216	222	229	267	292	318	330	410	
L-WF	43	49	56	64	70	71	76	86	92	102	114	127	154	165	190	203	251	
D1	120.5	152.5	190.5	216	241.5	298.5	362	432	476	540	578	635	749.5	914	978	1085	1257	
D2	92	127	157	186	216	270	324	381	413	470	533	584	692	857	914	1022	1194	
H	345	380	415	455	545	615	695	830	900	980	1030	1110	1305	1525	1585	1765	1871	
H1	280	315	350	390	455	522	605	730	800	870	920	1000	1155	1375	1435	1585	1610	
H2	110	125	145	165	175	210	250	285	320	355	380	415	475	580	630	680	680	
WT Kg	RF	20	29	35	40	81	94	156	183	239	302	346	434	638	788	880	1042	1670
	BW	21	27	34	41	43	81	102	132	164	193	238	302	457	910	1093	1410	1870
	WF	9	11	13	16	26	34	51	72	106	133	176	290	394	476	618	762	963
300Lb																		
L-RF	43	64	64	70	76	89	114	114	127	140	152	152	178	229	241	241	305	
L-BW	43	49	56	64	70	71	76	86	92	102	114	127	154	165	190	203	251	
L-WF	160	180	190	200	210	230	250	270	290	310	330	350	390	430	470	510	550	
D1	127	168	200	235	270	330	387	451	514	571	628	686	813	997	1054	1168	1206.5	
D2	92	127	157	186	216	270	324	381	413	470	533	584	692	867	914.5	1022	1136	
H	345	380	415	455	524	615	695	830	900	980	1030	1110	1305	1525	1585	1765	1871	
H1	280	315	350	390	455	525	605	730	800	870	920	1000	1156	1375	1435	1585	1610	
H2	110	125	145	165	175	210	250	285	320	355	380	415	475	580	630	680	680	
WT Kg	RF	27	31	38	43	45	85	110	142	172	201	245	315	467	922	1105	1430	1890
	BW	24	27	38	50	54	100	13	260	280	320	500	550	900	1234	1468	1782	2300
	WF	11	12	15	18	28	37	56	71	116	146	193	209	433	523	838	972	1000